

DICE Bolt on Aqueous Digital Print System

Featuring The Memjet DuraBolt Print Engine



Product Overview

Transform your existing analog presses into state-of-the-art high speed digital hybrid systems with the DuraBolt print engine.

- Add digital capabilities to your existing flexo press.
- Increase your production and profitability.

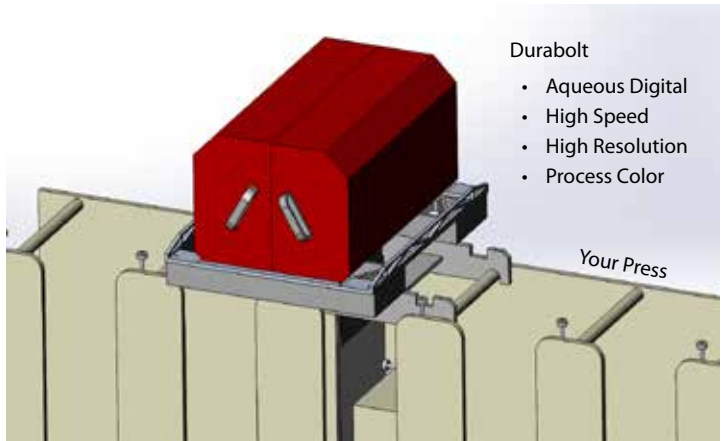
The DuraBolt delivers lightning speeds, outstanding image quality, and longer life.

- 450 fpm (138 m[pm]).
- Up to 1600 x 1280 dpi
- 12.77 in (324mm) print width
- Aqueous pigment inks



Inks

Durability and perfection. DuraBolt aqueous pigment inks deliver market-leading image quality across a wide range of applications. These fast-drying inks are environmentally friendly, meet the and have been developed for use on food packaging and indirect food contact applications by ensuring that all components are listed on the Swiss Ordinance.



Durabolt

- Aqueous Digital
- High Speed
- High Resolution
- Process Color

Key Features

- Exceptional print quality
- 4 times nozzle redundancy
- Intuitive digital front end
- Electronic printhead positioning
- Fast printhead maintenance and replacement
- Printheads jet up to 240 liters of ink
- Low printhead replacement cost (Complete set \$9K total)



Prototype & Production Systems Integration Expertise

PPSI has 15+ years of experience creating state-of-the-art digital hybrid printers based upon analog printers and web transports. This allows us to guarantee system performance for your specific application requirements. We will work with you and your team to assess your requirements, determine whether the technology is a viable solution for your application and design and implement a production solution that works for you.

3 Guaranteed Steps to Success

1. Inkjet Process Validation
Verification of your application including substrates, coatings, inkjet and analog processes to ensure that the system meet your needs.
2. Machine Integration
Integration of the digital print engine onto your analog press.
3. Workflow Integration
Integration of the digital press into your workflow.



This results in a high performance, easy to operate, state-of-the-art hybrid printing system.

Applications

- Books, manuals, and promotional materials
- Envelopes, direct mail
- Transactional and security printing, identification
- General purpose digital commercial printing
- Packaging applications such as labels and folding cartons

eMail: info@prototypesys.com

Phone: 763-557-9348

Online: www.prototypesys.com

Parameter	Specification
Process color printing colors	CMYK
Ink Type	Aqueous pigmented
Print Width	12.77 inch (324mm)
Print Speed and Resolution	225 fpm at 1600 x 1280 dpi 450 fpm at 1600 x 640 dpi Additional modes available
Print engine dimensions	W: 506 D: 875 H: 440mm W: 19.9 D: 34.4 H: 17.3 inches
Splice detection and response	Included
Registration to existing analog print	Included
Digital Front End Software	Included

